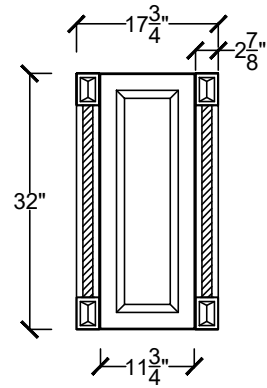
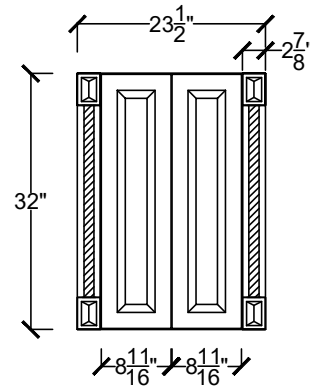


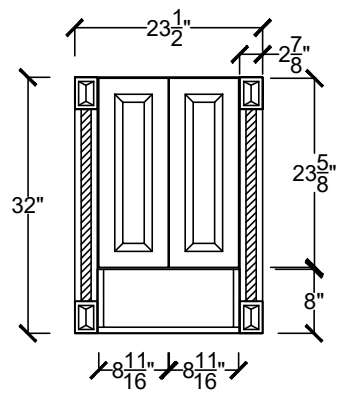
C.O.T.



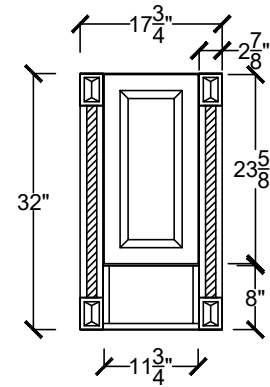
ANACOT-FD 18-\_\_\_\_\_-\_\_\_\_\_-\_\_\_\_\_



ANACOT-FD 24-\_\_\_\_\_-\_\_\_\_\_-\_\_\_\_\_



ANACOT-OS 24-\_\_\_\_\_-\_\_\_\_\_-\_\_\_\_\_



ANACOT-OS 18-\_\_\_\_\_-\_\_\_\_\_-\_\_\_\_\_